

# Application for Amendment

Application under the *Agricultural Operation Practices Act* to amend a permit for a confined feeding operation, manure collection area and/or manure storage facility(ies). ("Permit" means an NRCB-issued or grandfathered approval, registration, or authorization, including a grandfathered municipal development permit.)

<b>NRCB USE ONLY</b>	NRCB Application number	Date Stamp
<input type="checkbox"/> Approval <input type="checkbox"/> Registration <input checked="" type="checkbox"/> Authorization	LA24044A	NRCB APPLICATION 13 JAN 25 RECEIVED

## CONTACT INFORMATION

### Applicant Information

Name: Richard Vander Veen	Corporate Name (if applicable) Henk Vander Veen Dairy Ltd.	
Address: (Street/P.O. Box) Box 557		
City/Town: Picture Butte	Province: Alberta	Postal Code: T0K-1U0

**Agent consent (if applicable):**

I, \_\_\_\_\_, hereby give consent for \_\_\_\_\_  
 (name of applicant) (name of agent and company)

to act on my behalf or as my agent for this application.

Signed this \_\_\_\_\_ day of \_\_\_\_\_, 20\_\_\_\_.

\_\_\_\_\_  
Signature of Applicant

## LOCATION OF DEVELOPMENT

Which permit do you wish to amend? (List permit number and issuing agency.)	LA 24044	
Legal Land Description(s)	NW 6-11-21 W4M	(Qtr-Sec-Twp-Rg-W Mer)

## APPLICATION DISCLOSURE:


This information is collected under the authority of the *Agricultural Operation Practices Act (AOPA)*, and is subject to the provisions of the *Freedom of Information and Protection of Privacy Act*. This information is public unless the NRCB grants a written request that certain sections remain private.

Any construction prior to obtaining an NRCB permit is an offence and is subject to enforcement action, including prosecution.

I, the applicant, or applicant's agent, have read and understand the statements herein and acknowledge that the information provided in this application is true to the best of my knowledge.

Jan 10 2025  
 \_\_\_\_\_  
 Date of signing

Henk Vander Veen Dairy Ltd.  
 \_\_\_\_\_  
 Corporate name (if applicable)

  
 \_\_\_\_\_  
 Signature

Richard Vander Veen.  
 \_\_\_\_\_  
 Print name

# Application for Amendment – contd.



Natural Resources  
Conservation Board

## AMENDMENT INFORMATION REQUIREMENTS

### Instructions:

For each part of your permit that you would like amended, please detail what change you would like made and why, and how your proposed change will meet the AOPA requirements. You may attach additional pages to this form to provide this information.

Please note that an approval officer may require a page (or pages) of the Part 2 application forms to be completed as part of this application for amendment, depending on what changes are proposed.

Our permitted catch basin is  $1948\text{m}^3$  (30m x 45m)  
The measurements did not work where we  
wanted to drive with equipment. We wanted to  
change dimensions to 30m x 35m which is  
still above our minimum required storage of  $1012\text{m}^3$   
The location of catch basin is still  
in the same location.

Applicant is still proposing 4m depth for the catch basin.

## Part 2 – Technical Requirements

Application under the *Agricultural Operation Practices Act* for a confined feeding operation, manure collection area and/or manure storage facility(ies)

### RUNOFF CONTROL CATCH BASIN: Naturally occurring protective layer (cont.)

#### NRCB USE ONLY

Catch basin calculator. Total volume @ freeboard level: 1370 m<sup>3</sup> Runoff capacity requirements met:  YES  NO

Calculation of the volume attached:  YES  NO

Depth to water table: 6.5 m Requirements met:  YES  NO

Depth to uppermost groundwater resource: 49.38 m Requirements met:  YES  NO

ERST completed:  See ERST page for details

Protective layer specification comments (e.g. sand lenses; layering uniform or irregular; number and location of boreholes):

[Engineers report included in Technical Document LA24044](#)

Leakage detection system required:  YES  NO If yes, please explain.

# Catch Basin Storage Volume Calculator

Construction Dimensions of Catch Basin	
<b>* Only cells in blue can be changed.</b>	
Overall Dimensions of Catch Basin	
Total Length* <sub>4</sub>	35.0 m
Total Width* <sub>4</sub>	30.0 m
Total Depth* <sub>4</sub>	4.0 m
Design Capacity Depth	3.50 m
End Slope* <sub>4</sub>	3 run:rise
Side Slope* <sub>4</sub>	3 run:rise
Length of Bottom	11.0 m
Width of Bottom	6.0 m
Capacity @ top of Bank	1,848 m <sup>3</sup>
Design Capacity of Catch Basin (freeboard level)	
Length (design capacity depth)	32.0 m
Width (design capacity depth)	27.0 m
Total Depth	4.0 m
Design Capacity Depth	3.50 m
End Slope	3 run:rise
Side Slope	3 run:rise
Design Capacity (freeboard level)	1,370 m <sup>3</sup>
(level)	864 m <sup>2</sup>

CFO Name <sub>1</sub>	Vander Veen Dairy
Land Location <sub>1</sub>	

Catch Basin Dimensions
115 ft
98 ft
13 ft
11 ft
3 run:rise
3 run:rise
36 ft
20 ft
Capacity (@top)
65,262 ft <sup>3</sup>
406,503 Imp. Gal.

Paved Runoff Catchment Area(s)			
Area <sub>2</sub>	Length (m)	Width (m)	Area (m <sup>2</sup> )
1			0.0
2			0.0
3			0.0
4			0.0
5			0.0
Total Area (m <sup>2</sup> )			0

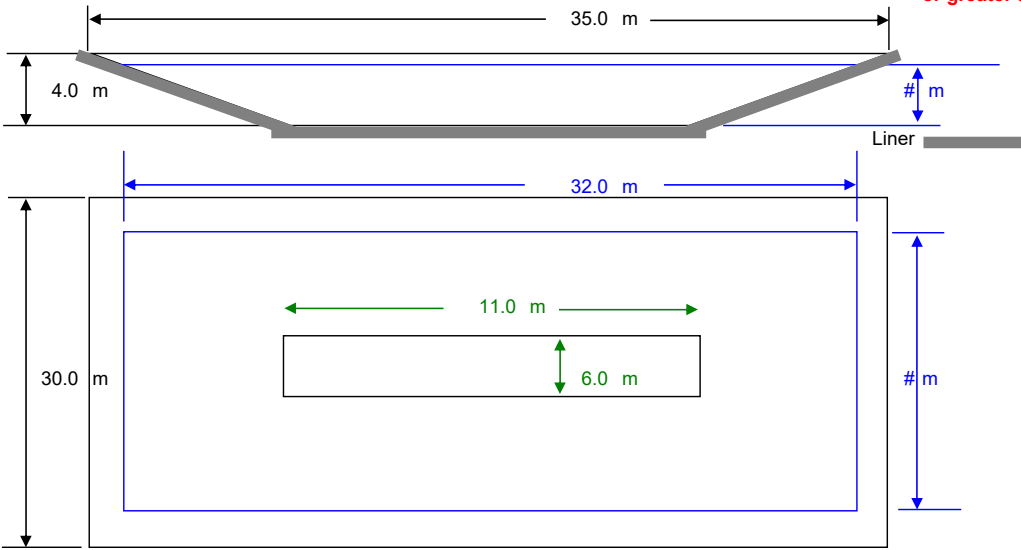
Design Capacity (freeboard level)
105 ft
89 ft
13 ft
11 ft
3 run:rise
3 run:rise
48,390 ft <sup>3</sup>
301,413 Imp. Gal.
9,300 ft <sup>2</sup>

Unpaved Runoff Catchment Area(s)			
Area <sub>2</sub>	Length (m)	Width (m)	Area (m <sup>2</sup> )
6	43	40	1,720.0
7	50	41	2,050.0
8	82	41	3,362.0
9	65	50	3,250.0
10	91	104	9,464.0
Total Area (m <sup>2</sup> )			19,846

Rainfall (Select Town <sub>3</sub> )
Picture Butte 85
AOPA Design Rainfall 85 mm

Minimum Catchbasin Storage Volume Required	
1,012 m <sup>3</sup> **	35743.5987 ft <sup>3</sup>
	222640.907 Imp. Gal.

\*\* Design capacity of catch basin should be equal to or greater than, minimum storage volume required.



— Lines in Black - Overall catch basin dimensions  
 — Lines in Blue - Design capacity depth dimensions (excludes freeboard)

NTS - Not To Scale

# Part 2 – Technical Requirements

Application under the *Agricultural Operation Practices Act* for a confined feeding operation, manure collection area, and/or manure storage facility(ies)

**NRCB USE ONLY**  
**ENVIRONMENTAL RISK SCREENING INFORMATION**

ERST for **proposed** facilities

Facility	Groundwater score	Surface water score	File number
Catch basin	Low	Low	LA24044A

ERST for **existing** facilities

Facility	Groundwater score	Surface water score	File number
See LA24044			

**ERST related comments:**

LA24044 determined that the catch basin posed a low risk to surface water and groundwater as new facilities that meet or exceed AOPA requirements are presumed to pose a low risk to surface water and groundwater.  
 The change in dimensions, but same depth, will put the catch basin 5 m closer to Piyami drain. The proposed change still meets the setback to surface water. Therefore, the risk to surface water is still presumed to be low.

# Part 2 – Technical Requirements

Application under the *Agricultural Operation Practices Act* for a confined feeding operation, manure collection area, and/or manure storage facility(ies)

**NRCB USE ONLY**

**WATER WELL AND SURFACE WATER INFORMATION**

Well IDs: WW ID 221690 located 1.5km NE of CFO

Surface water related concerns from directly affected parties or referral agencies:  YES  NO

Groundwater related concerns from directly affected parties or referral agencies:  YES  NO

**Water wells**  N/A

If applicable, exemption for 100 m distance requirements applied:  YES  NO Condition required:  YES  NO

**Surface water**  N/A

If applicable, exemption for 30 m distance requirements applied:  YES  NO Condition required:  YES  NO

**Water Well Exemption Screening Tool**  N/A

Water Well ID	Preliminary Screening Score	Secondary Screening Score	Facility

**Groundwater or surface water related comments:**

Piyami drain is 45 m east of the catch basin. Meets setback to surface water.

# Part 2 – Technical Requirements

Application under the *Agricultural Operation Practices Act* for a confined feeding operation, manure collection area, and/or manure storage facility(ies)

## NRCB USE ONLY

### MINIMUM DISTANCE SEPARATION

Methods used to determine distance (if applicable): Google earth

Margin of error (if applicable): +/- 3m

Requirements (m): Category 1: 488 m Category 2: 651 m Category 3: 813 m Category 4: 1301 m

Technology factor:  YES  NO

Expansion factor:  YES  NO

MDS related concerns from directly affected parties or referral agencies:  YES  NO

Changed dimensions of the catch basin (30 m x 45 m vs. 35 m x 30 m) still meets MDS requirements as the closest neighbouring residence is 570 m away.

### LAND BASE FOR MANURE AND COMPOST APPLICATION

Land base required: \_\_\_\_\_

Land base listed: \_\_\_\_\_ **NA for authorizations**

Area not suitable: \_\_\_\_\_

Available area \_\_\_\_\_ Requirement met:  YES  NO

Land spreading agreements required:  YES  NO

Manure management plan:  YES  NO If yes, plan is attached:

### PLANS

Submitted and attached construction plans:  YES  NO

Submitted aerial photos:  YES  NO

Submitted photos:  YES  NO

### GRANDFATHERING

Already completed:  YES  NO  N/A

If already completed, see LA17071

# Part 2 – Technical Requirements

Application under the *Agricultural Operation Practices Act* for a confined feeding operation, manure collection area, and/or manure storage facility(ies)

**NRCB USE ONLY**

**ALL SIGNATURES IN FILE**

YES  NO

**DATES OF APPROVAL OFFICER SITE VISITS**

January 20, 2025	

**CORRESPONDENCE WITH MUNICIPALITIES AND REFERRAL AGENCIES**

Date deeming letters sent: January 13, 2025

**Municipality:** Lethbridge County

letter sent       response received       written/email       verbal       no comments received

**Alberta Health Services:**  N/A

letter sent       response received       written/email       verbal       no comments received

**Alberta Environment and Parks:**  N/A

letter sent       response received       written/email       verbal       no comments received

**Alberta Transportation:**  N/A

TEC provided a response to LA24044 that a permit was not required

letter sent       response received       written/email       verbal       no comments received

**Alberta Regulatory Services:**  N/A

letter sent       response received       written/email       verbal       no comments received

**Other:** LNID  N/A

letter sent       response received       written/email       verbal       no comments received

**Other:** FortisAlberta, Lethbridge North County Potable Water, ATCO  N/A

letter sent       response received       written/email       verbal       no comments received